

# REM

Recessed Emergency Light



Specifiers reference:

Project: \_\_\_\_\_

Type: \_\_\_\_\_

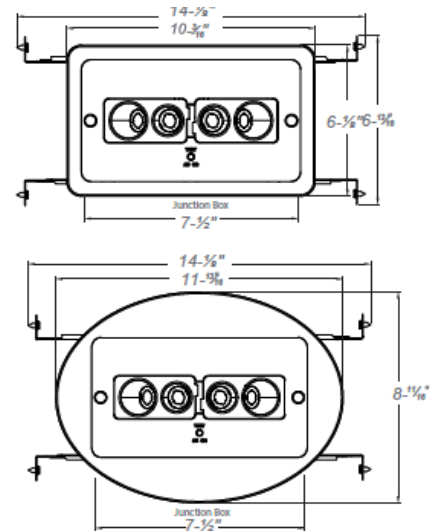
Model: \_\_\_\_\_

Comments: \_\_\_\_\_

- ◇ (4) 1.0 watt per head.—Flush mount into ceiling
- ◇ Adjustable LED lamp heads provide up to 50-ft center to center spacing with a 3ft path of egress at 12ft mounting height
- ◇ Universal 120-277 voltage.
- ◇ Unique bi-color LED indicator light alerts occupant on battery condition (Green-normal, Red-check battery).
- ◇ Charge rate/power “ON” LED indicator light and push-to-test switch for mandated code compliance testing.
- ◇ 4.8V long-life, maintenance-free, rechargeable nickel metal hydride battery.
- ◇ Internal solid-state transfer switch automatically connects the internal battery to LED lamp heads for minimum 90- minute emergency illumination.
- ◇ Fully automatic solid-state, two rate charger initiates battery charging to recharge a discharged battery in 24 hours.
- ◇ Bar hangers included are compatible with drywall or drop ceiling mount installations.
- ◇ Injection-molded, engineering grade, 5VA flame retardant, impact-resistant, thermoplastic in white or black finish.
- ◇ Five-year warranty on all electronics and housing. Battery pro rated for five years.
- ◇ Meets UL924, NFPA 101 Life Safety Code, NEC, OSHA, Local and State Codes.
- ◇ UL 924 Listed for damp locations.(10°C – 50°C)
- ◇ Self Diagnostic Optional
- ◇ Both Oval and rectangular trim rings provided

## Description

The Assurance Emergency Lighting recessed ceiling mount REM emergency light unit is an excellent choice for hallways or open spaces. The REM is available in White or Black and provides 90 minutes of emergency light. The unit can be spaced up to 50 feet at 12” mounting heights to achieve a 3-foot code approved path of egress.



Model:	Color	Self Diagnostic
REMW	White	No
REMB	Black	No
REMWSDT	White	Yes
REMBSDT	Black	Yes



02282024